

Syphons

AS Series

Applications

The Siphon Tube is connected between the pressure gauge & process in applications where high temperature vapours or fluids are present or temperature above 65 Deg C for eg. steam. It acts as a cooling coil and protects the gauge from high temperature vapours, by dissipating heat. A gauge cock is generally connected between the pressure gauge and syphon for isolation.

Specifications

Material

SS316 or SS304 or Carbon Steel

Pipe

½" Pipe Sch 40 or 80 or 120

Connection Type

MxM, MxF, FxF

Thread Size

3/8" or ½" bsp or npt

Pressure Rating (Sch 40)

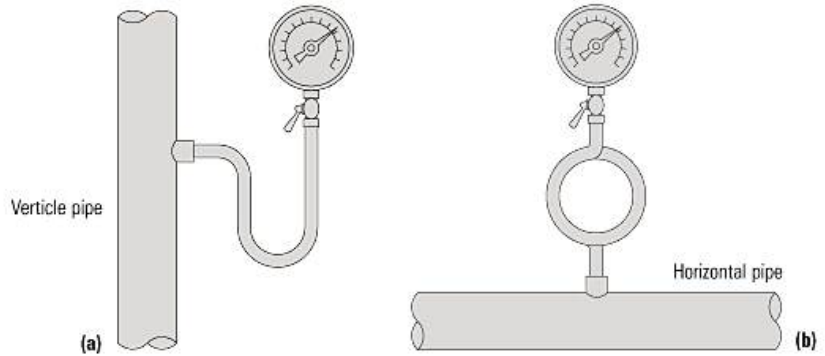
135 bar at 400 deg C (Stainless Steel)

150 bar at 400 deg C (Carbon Steel)

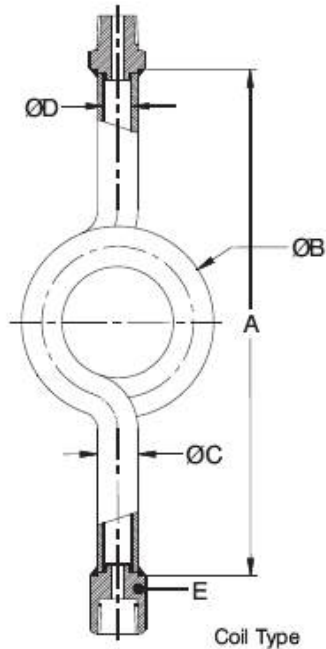
How to Inquire:

Send you inquiry with details like

- ◆ Syphon Type: 'U' or Coil or Pigtail
- ◆ Material: SS316 or SS304 or C.S.
- ◆ Connection Type: MxM, MxF, FxF
- ◆ Thread Size: 3/8" or ½" bsp or npt
- ◆ Pressure Range
- ◆ Application Media

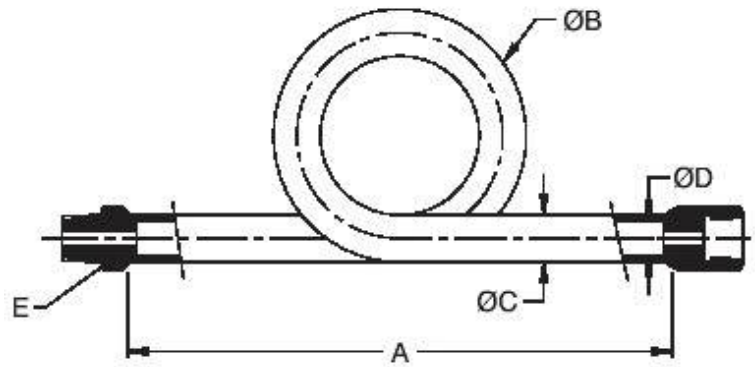


U Type Syphons are Suitable for Vertical Pipe Mounting
Coil / Pigtail Syphons are Suitable for Horizontal Pipe Mounting



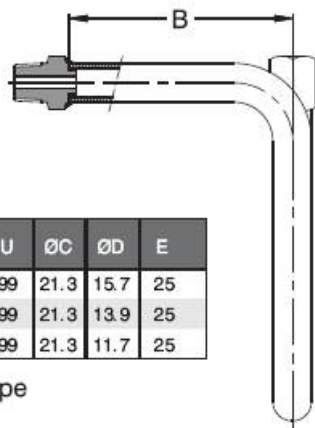
Coil Type

Pipe size	A	ØB	ØC	ØD	E
1/2" Sch. 40	240	100	21.3	15.7	25
1/2" Sch. 80	240	100	21.3	13.9	25
1/2" Sch. 160	240	100	21.3	11.7	25



Pigtail Type

Pipe size	A	ØB	ØC	ØD	E
1/2" Sch. 40	240	110	21.3	15.7	25
1/2" Sch. 80	240	110	21.3	13.9	25
1/2" Sch. 160	240	110	21.3	11.7	25



"U" Type

Pipe size	A	B	U	ØC	ØD	E
1/2" Sch. 40	180	155	99	21.3	15.7	25
1/2" Sch. 80	180	155	99	21.3	13.9	25
1/2" Sch. 160	180	155	99	21.3	11.7	25

"U" Type

